

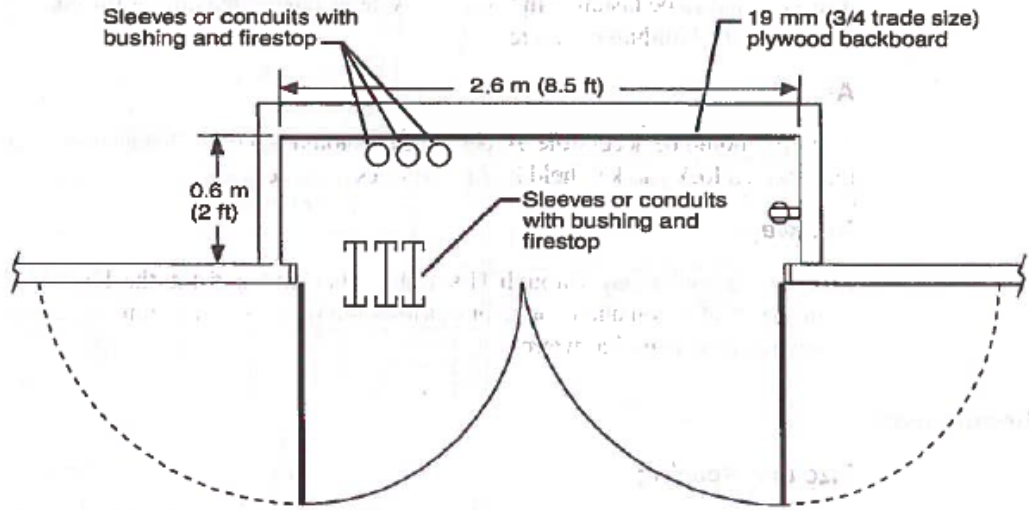
Part 1 General**1.1 Summary**

- .1 Unless otherwise indicated, follow the standards below when planning for telecommunication / data rooms. These standards are not intended to restrict or replace professional judgment.
- .2 These guidelines should be read with the specific technical sections of McGill's Building Design and Technical Standards.

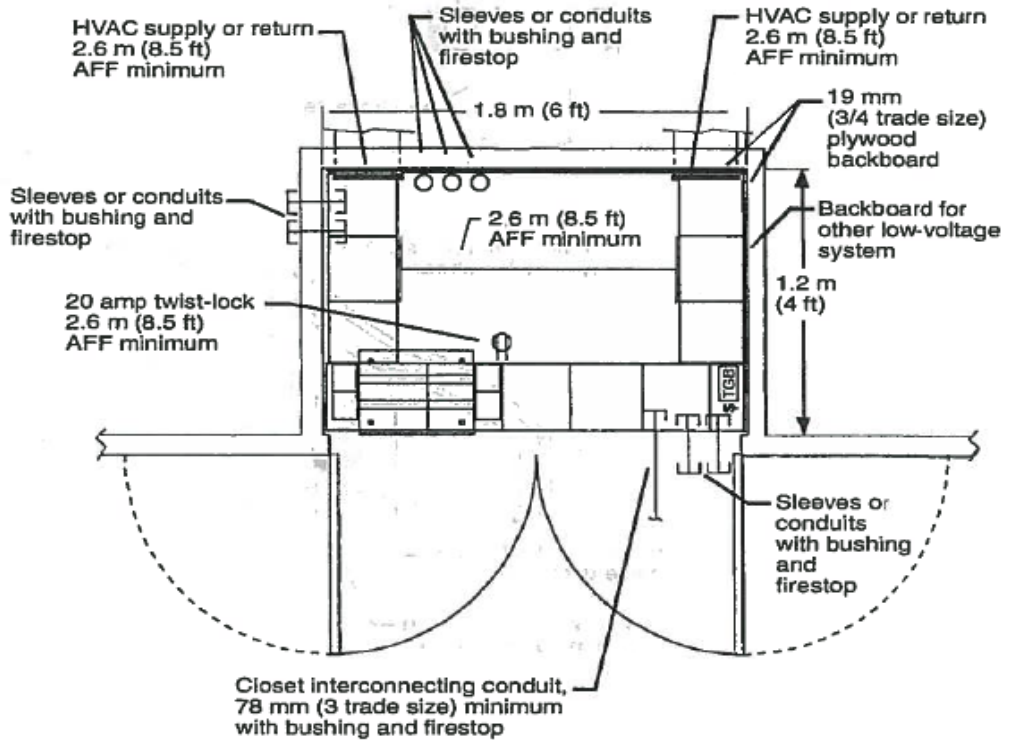
1.2 Design Requirements for Telecommunication / Data Room

- .1 For buildings over 800 m² (8,000 ft²) the following shall apply:
 - .1 For every 1,000 m² (10,000 ft²) of floor there shall be one telephone closet with a minimum of one telephone closet per floor.
 - .2 Closet spaces shall be as follows:
 - .1 1,000 m² (10,000 ft²) of serving area, closet size shall be 3 m x 3.4 m (10' x 11').
 - .2 800 m² (8,000 ft²) of serving area, closet size shall be 3 m x 2.8 m (10' x 9')
 - .3 500 m² (5,000 ft²) of serving area, closet size shall be 3 m x 2.2 m (10' x 7')
 - .3 Each closet shall have a minimum of two walls covered with rigidly fixed 19 mm (3/4") x 2,440 mm (8'-0") high fire-rated plywood, smooth on one side and capable of supporting attached equipment.
- .2 For smaller buildings under 800 m² (8,000 ft²) the following shall apply:
 - .1 Walk-in-type closets may be used and shall be a minimum of 1.3 m deep x 1.3 m wide (4'-6" x 4'-6") to serve a floor area of up to 500 m² (5,000 ft²). To serve each additional 100 m² (1,000 ft²) add 1 m² (10 ft²) to the closet floor area, up to a maximum of 800 m² (8,000 ft²).
 - .2 Shallow-type closets may also be used and shall be a minimum of 0.45 m deep x 2.6 m wide (1'-6" x 8'-6") to serve a floor area of up to 500 m² (5,000 ft²). To serve each additional 100 m² (1,000 ft²), add 1 m² (10 ft²) to the closet floor area, up to a maximum of 800 m² (8,000 ft²). Shallow closets must have a minimum 1,800 mm (6'-0") wide double door.
 - .3 Each closet type shall have the rear wall covered with rigidly fixed 19 mm (3/4") plywood smooth on one side and capable of supporting attached equipment.
 - .4 The following schematic plans of rooms types are possible configurations (Reference: TDM manual)

1. Typical layout for a shallow room

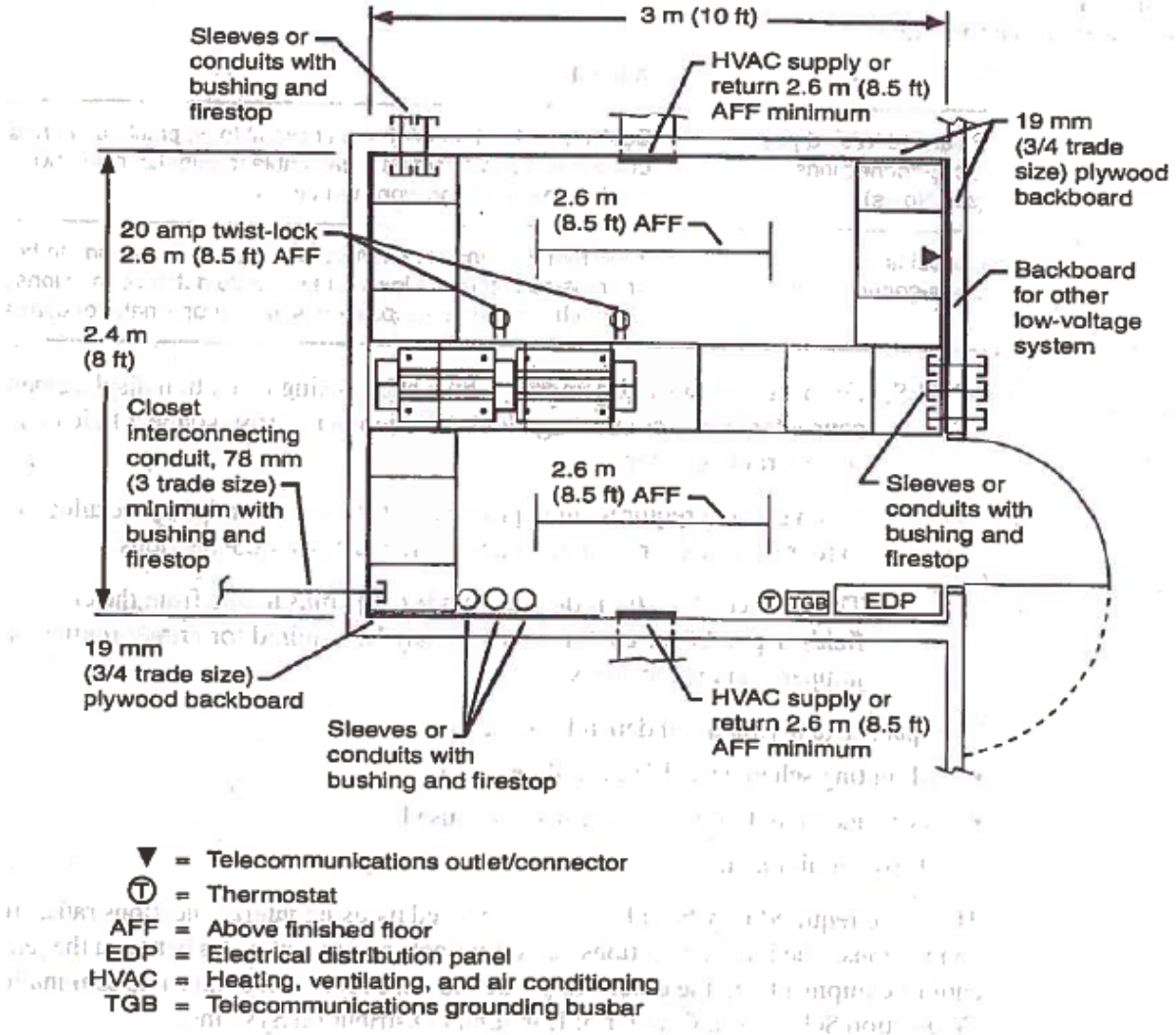


2. Typical layout for a small telecommunications room



AFF = Above finished floor
 HVAC = Heating, ventilating, and air-conditioning

3. Typical telecommunications room layout


Part 2 Related Technical Sections

The technical sections of the McGill Building Design and Technical Standards should be consulted with the current document, most notably (but not limited to) the following:

Section Number	Title of Section
none	none

END OF SECTION